

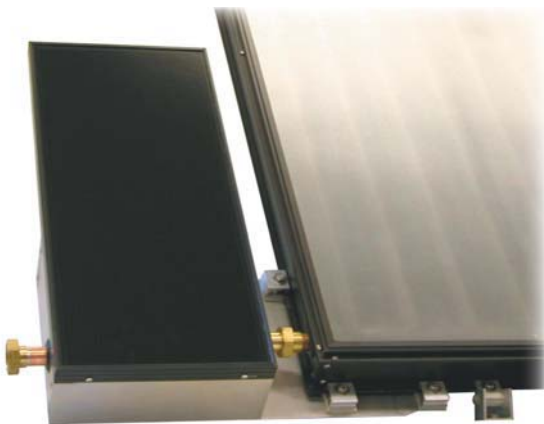
Ideal for all locations. Independent of the power grid, produces its own electricity from the sun for the collector loop pump. Non-freezing heat transfer fluid protects the collectors in cold climates for yearround operation. Separate heat transfer fluid also keeps the collectors clean of hard water deposits for long-term efficiency. HP Helix SW CL with new Helix Stainless Steel heat exchanger performs comparable to dual pumped systems.

### Helix SW CL Heat Transfer Appliance

- New Helix SS heat exchanger
- Developed for high thermosyphon performance
- Adapts to solar tanks or water heaters
- Increased system performance
- Single pump design
- Protects collectors from freezing
- Optional attractive shield
- Complete and compact package
- 150 psi rated for boilout protection

### Energy Smart Water Heater

- Dual 4.5 kW elements
- Increased 3" of insulation
- Controller heats to usage patterns
- Minimizes electricity use

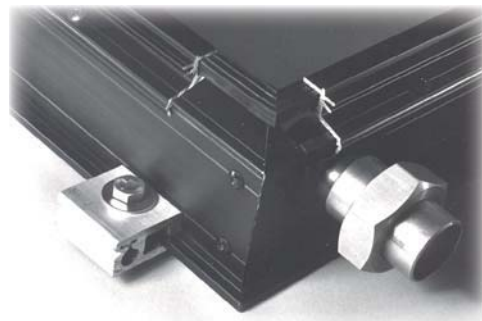


### Helix PV Pump Station

- Connects to Gobi Collector and supply line
- Contains both pump and power from sun
- Automatic solar collection, no wiring or sensors

### Gobi Solar Collectors

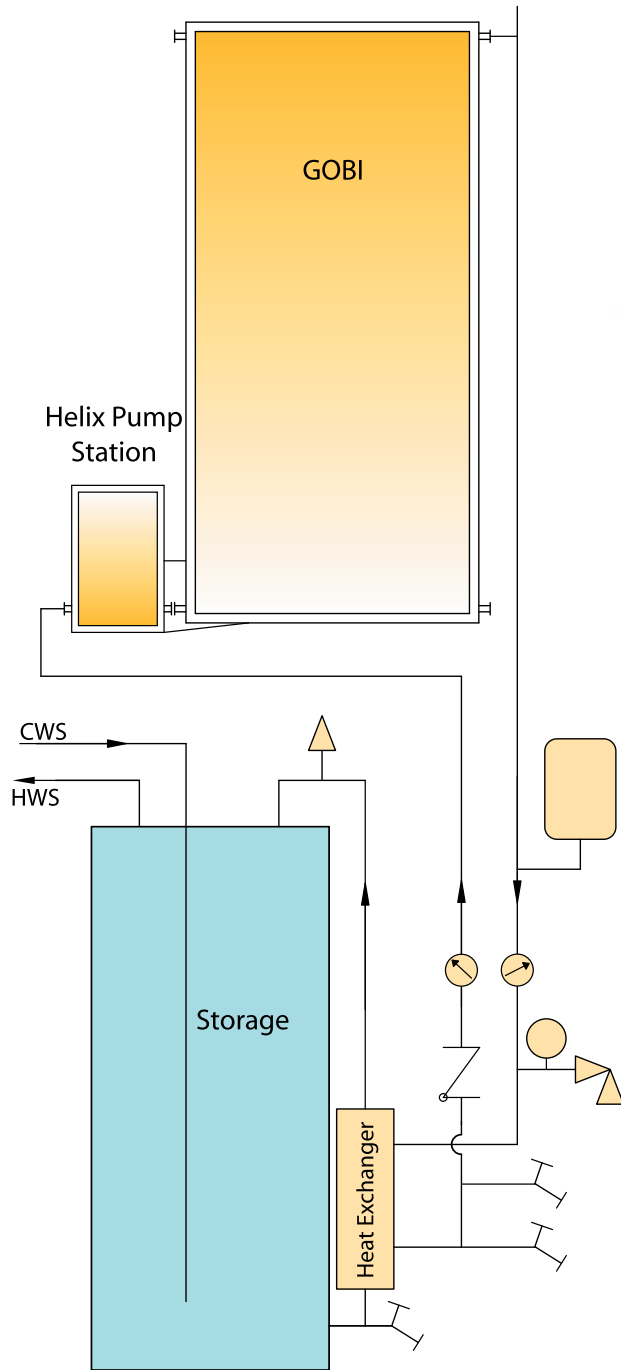
- Three convenient sizes
- High performance SRCC rated
- Strong and lasting construction
- Easy mounting hardware for any tilt



# HELIO-PAK HX SS SW CL G PV

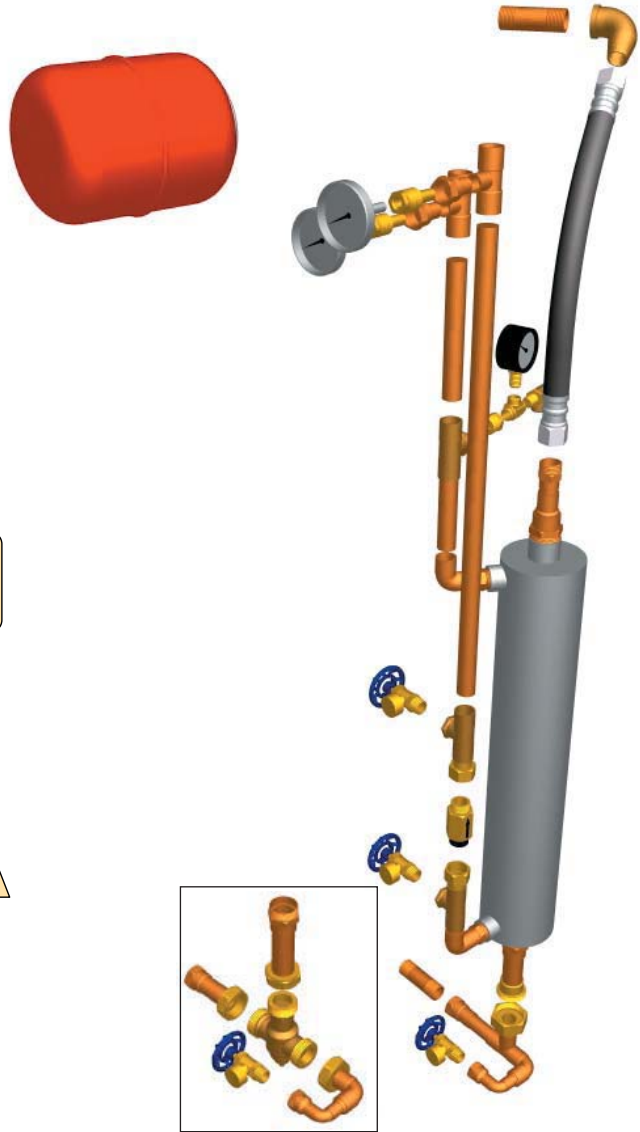
## Solar Water Heater

Solar electric powered closed loop glycol system with thermosyphon heat exchanger and pv powered pump station



Complete system schematic

HP HX SS SW CL heat transfer appliance shown below, as shipped with complete HP HX SS G PV system.



Optional tank temperature limiting valve

\*Copper pipe is not included

© 2005, Heliodyne, Inc. HXPV2-28-05MIS

Sold by:

**heliodyne**  
SOLAR HOT WATER

510-237-9614 www.heliodyne.com  
Fax: 510-237-7018 info@heliodyne.com

Supplied by:

**groSolar**<sup>®</sup>

What the World Needs. NOW<sup>™</sup>

groSolar.com • 800.467.6527

OR CCB Lic #180494