

- PV PoleTops® take on special terrain problems, such as this hillside site, which slopes east-west. Mounting the array on three poles is a better solution than a lopsided or complex truss structure.



# POLETOPS®

## SINGLE ROW POLETOP RACKS



Series 5000



Series 5001



Series 5002

## DOUBLE ROW POLETOP RACKS



Series 5003



Series 5004  
continued as Series 5024



Series 5014  
continued as Series 5034

- PV PoleSides™ are ideal when a small amount of reliable power is required in a remote site. This installation is one of a series powering weather monitoring equipment along a major highway.



# PV Polesides™

## ADJUSTABLE SIDE-OF-POLE RACKS



Series 4000



Series 4001



Series 4002

## FIXED TILT SIDE-OF-POLE RACKS



Series 4011



Series 4012

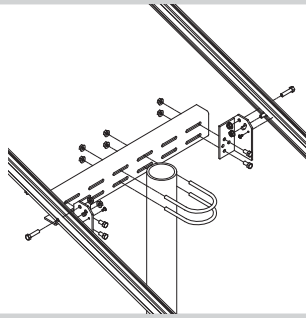
## Series Features

Locate complete assembly instructions for each series at [www.unirac.com](http://www.unirac.com).

### PV PoleTops® Single Row

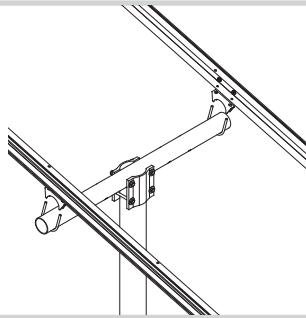
#### Series 5000

- Array size up to 16 square feet.
- Adjusts from 15 to 60 degrees from the horizontal.
- Mounts to installer-supplied 2.5-inch (65 mm) Schedule 40 or 80 steel pole, outside diameter 2.875 inches (73.0 mm).



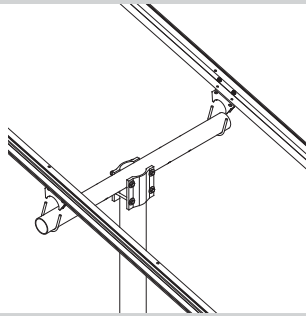
#### Series 5001

- Array size up to 33 square feet.
- Adjusts from 0 to 90 degrees from the horizontal.
- Mounts to installer-supplied 3-inch (80 mm) Schedule 40 or 80 steel pole, outside diameter 3.500 inches (88.9 mm).



#### Series 5002

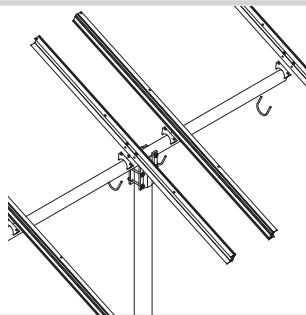
- Array size up to 45 square feet.
- Adjusts from 0 to 90 degrees from the horizontal.
- Mounts to installer-supplied 4-inch (100 mm) Schedule 40 or 80 steel pole, outside diameter 4.500 inches (114.3 mm).



### PV PoleTops® Double Row

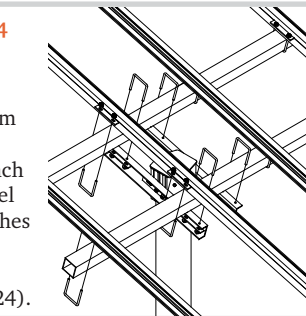
#### Series 5003

- Array size up to 65 square feet.
- Adjusts from 0 to 90 degrees from the horizontal.
- Mounts to installer-supplied 4-inch (100 mm) Schedule 40 or 80 steel pole, outside diameter 4.500 inches (114.3 mm).



#### Series 5004/5024 and 5014/5034

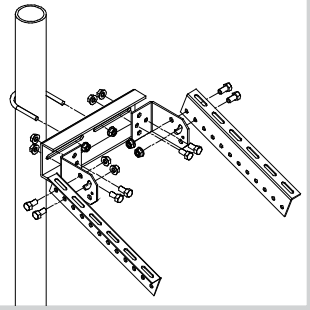
- Array size up to 140 square feet (5014/5034).
- Adjust from 15 to 60 degrees from the horizontal.
- Mounts to installer-supplied 6-inch (150 mm) Schedule 40 or 80 steel pole, outside diameter 6.625 inches (168.3 mm).
- High wind brace (standard for 5014/5034, option for 5004/5024).



### PV PoleSides™ Adjustable

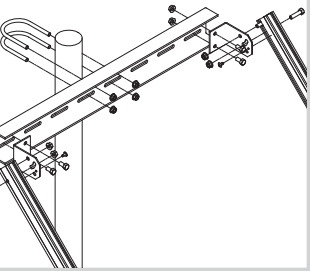
#### Series 4000

- Mounts one PV module.
- Adjusts from 15 to 60 degrees from the horizontal.
- Mounts to installer-supplied 2-inch (50 mm) Schedule 40 or 80 steel pole, outside diameter 2.375 inches (60.3 mm).
- Optional hardware for larger diameter poles.



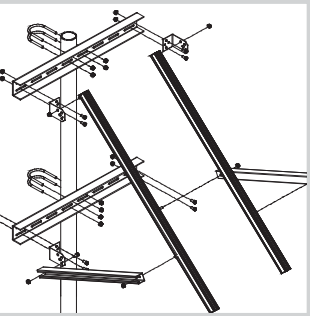
#### Series 4001

- Mounts one PV module.
- Adjusts from 15 to 60 degrees from the horizontal.
- Mounts to installer-supplied 2.5-inch (65 mm) Schedule 40 or 80 steel pole, outside diameter 2.875 inches (73.0 mm).
- Optional hardware for larger diameter poles.



#### Series 4002

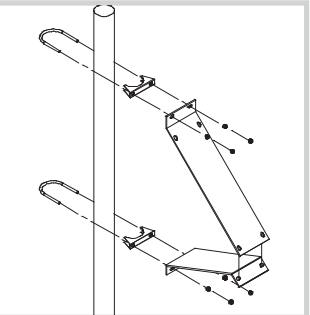
- Array size up to 45 square feet.
- Tilt range varies with model.
- Mounts to installer-supplied 2.5-inch (65 mm), 3-inch (80 mm) or 4-inch (100 mm) Schedule 40 or 80 steel pole, depending on model.
- Optional hardware for larger diameter poles.



### PV PoleSides™ Fixed Tilt

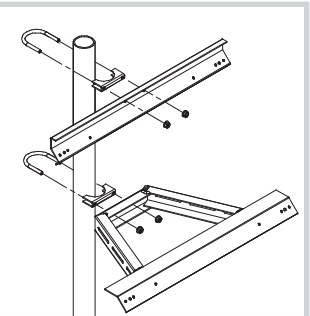
#### Series 4011

- Mounts one PV module.
- Fixed 45 degree tilt angle.
- Mounts to installer-supplied 2-inch (50 mm) Schedule 40 or 80 steel pole, outside diameter 2.375 inches (60.3 mm).
- Optional hardware for 1.5-inch (40 mm) Schedule 40 or 80 steel pole, outside diameter 1.900 inches (48.3 mm).



#### Series 4012

- Mounts one PV module.
- Fixed 45 or 60 degree tilt angle.
- Mounts to installer-supplied 2-inch (50 mm) Schedule 40 or 80 steel pole, outside diameter 2.375 inches (60.3 mm).
- Optional hardware for 1.5-inch (40 mm) Schedule 40 or 80 steel pole, outside diameter 1.900 inches (48.3 mm).



Material Specifications • Standard component + Optional component

PV PoleSides™ Series No.					PV PoleTop Series No.					Component	Material	
Adjustable		Fixed			Single			Double				
4000	4001	4002	4011	4012	5000	5001	5002	5003	5004	5014		
									5024	5034		
	•	•			•						SolarMount standard rails, anodized	6061-T6 aluminum or equivalent alloy.
						•	•	•	•	•	SolarMount HD (heavy duty) rails, anodized	
									•	•	Square cross tubes	
						•	•	•			Cross pipe	
	•	•			•	•	•	•	•	•	SolarMount bottom mounting clips, anodized	
						•	•	•			Pole clamps	
									•	•	Welded pole can	
									•	•	Tilt struts	
									•	•	Strut plates, anodized	
		•									Leg struts	
									+	•	Wind brace rail strut	
									+	•	Wind brace leg struts	
									+	•	Wind brace pole bracket	
•	•	•			•						Cross channel(s)	5052-H32 aluminum
•	•	•			•						Channel brackets	
•											Angle rails	
						•	•	•			Pole cap	
			•	•							Upper bracket	
			•								Lower bracket	
				•							Welded lower bracket	
									•	•	Lock nuts	Zinc-plated steel, Grade 8
									•	•	Carriage bolts	Zinc-plated steel, Grade 5
•	•				•						Self-tapping screws	Zinc-plated steel
•	•	•	•	•	•	•	•	•	+	•	U-bolt(s)	18-8 stainless steel
									•	•	Square U-bolts	
•	•	•	•	•	•	•	•	•	•	•	Other fasteners	
									•	•	Washer plates	

Warranty

PV PoleMounts are covered by a 10-year limited product warranty. For complete language, download any PV PoleMounts installation manual from our web site.

Supplied by:  groSolar.com  
800.467.6527  
OR CCB Lic #190494



THE STANDARD IN PV MOUNTING STRUCTURES™  
1411 Broadway NE, Albuquerque NM 87102-1545 USA

Pub 060701-3ds • September 2006  
© 2006 UniRac, Inc. All rights reserved.