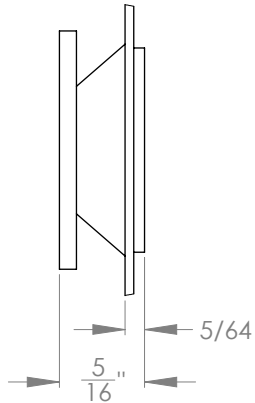
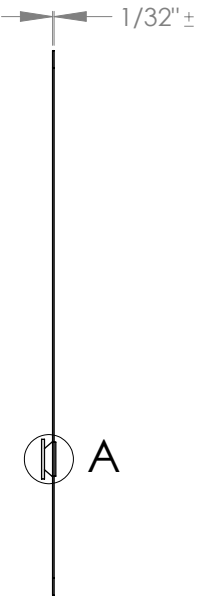
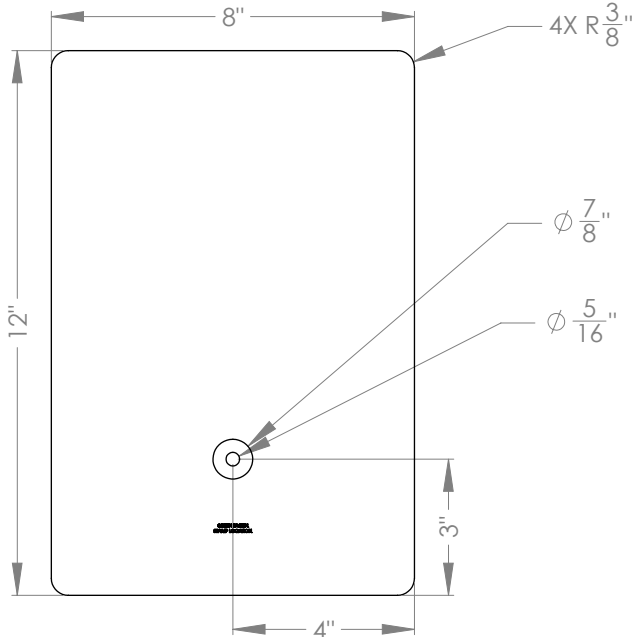


SECTION A-A

EcoFasten Solar



# EcoFasten Solar

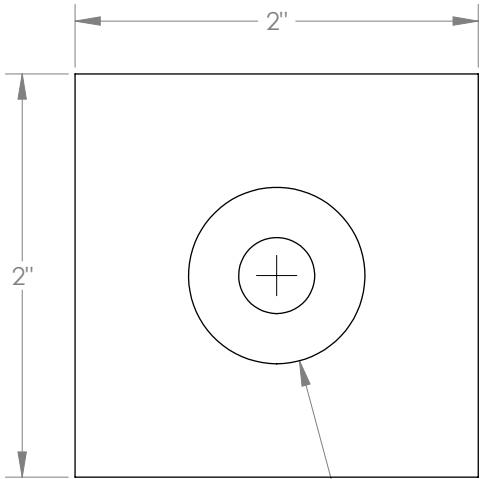
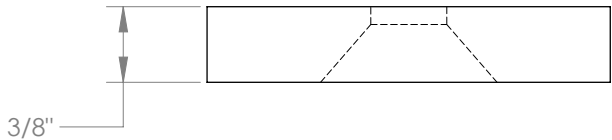


DETAIL A  
SCALE: 2:1

Finish Options  
 BLK = Matte Black  
 MLL = Mill Finish



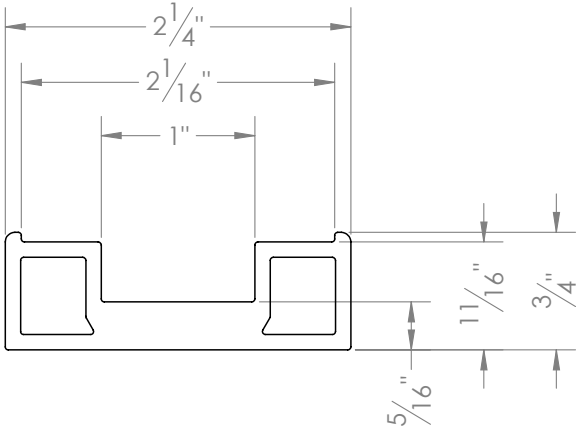
EcoFasten Solar



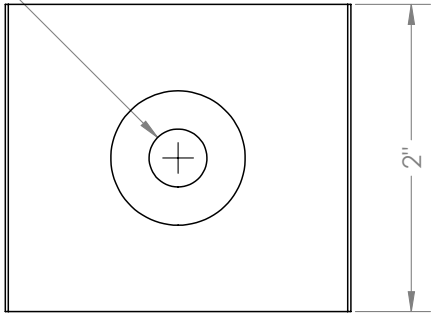
$\phi 3/8^{+.01}_{-.00}$  THRU ALL  
 $\sphericalangle \phi 7/8 \pm .01 \times 82^\circ$ , NEAR SIDE



# EcoFasten Solar

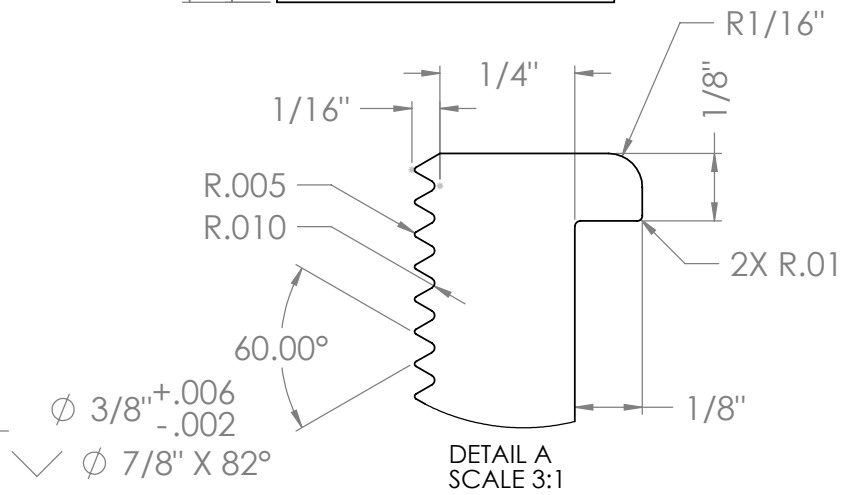
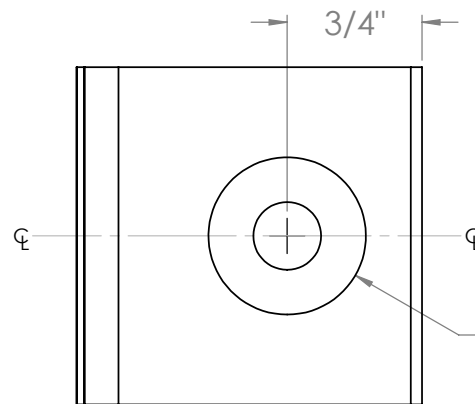
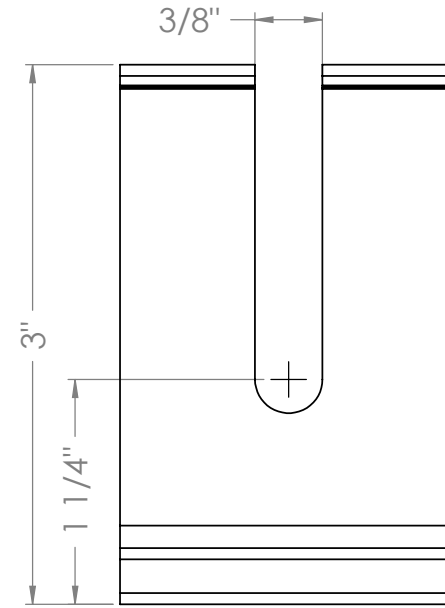
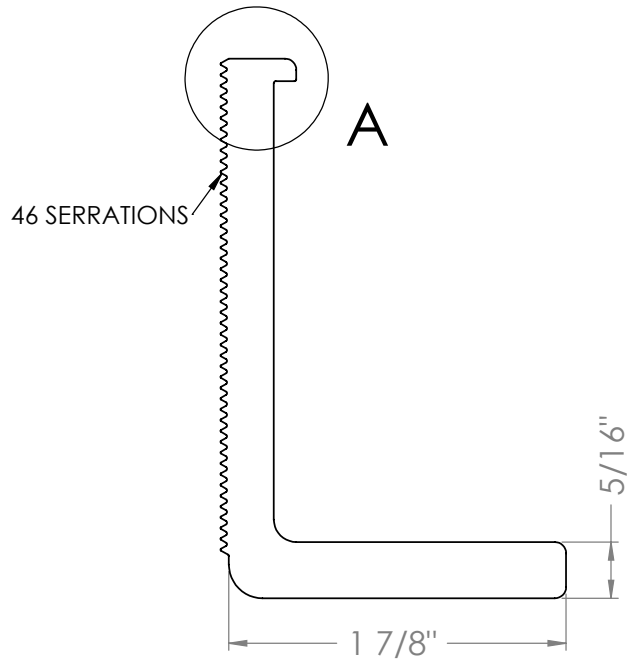


$\phi \frac{3}{8}$ " THRU ALL  
 $\checkmark \phi \frac{7}{8}$ " X 82°, NEAR SIDE



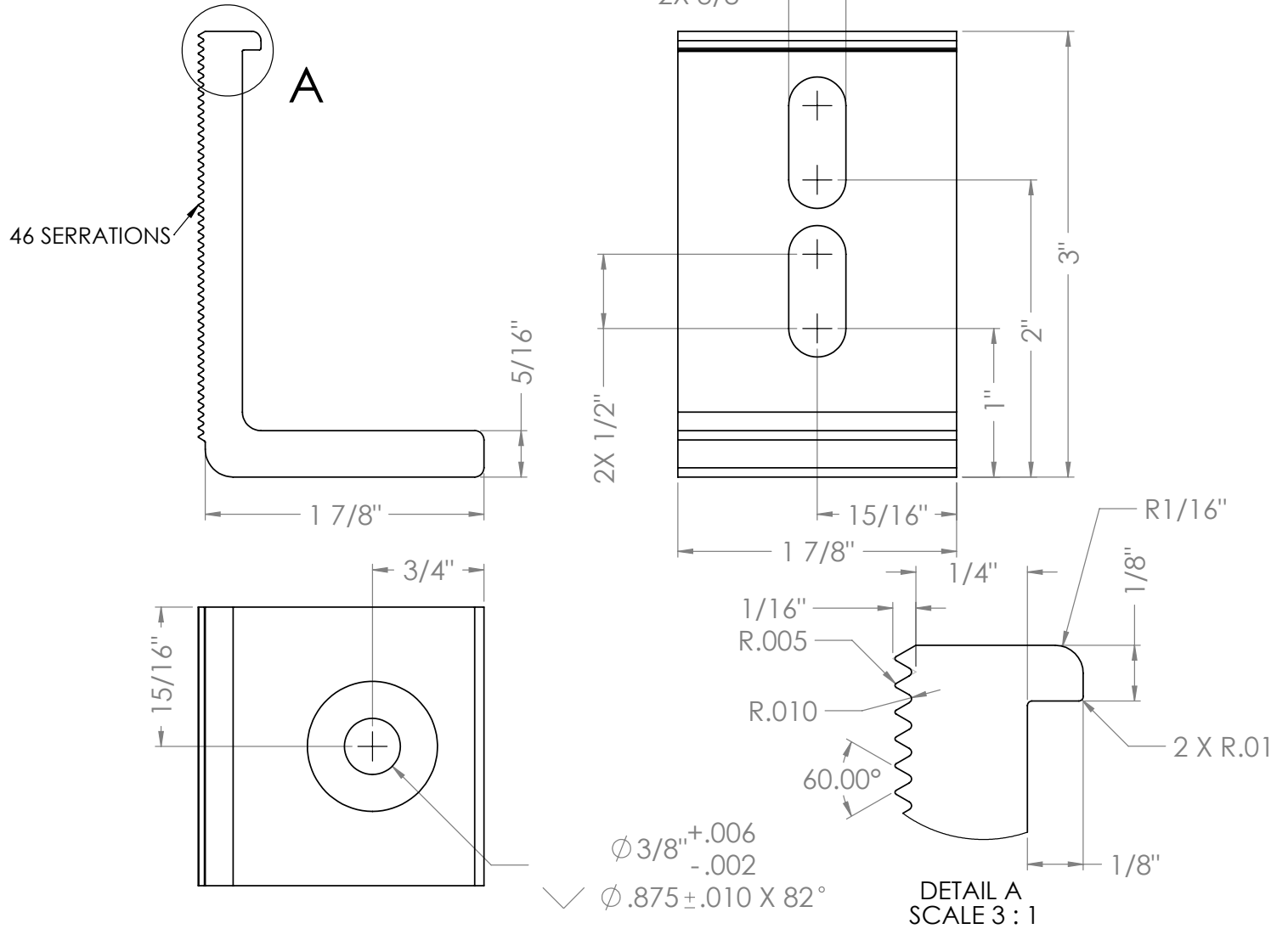


EcoFasten Solar



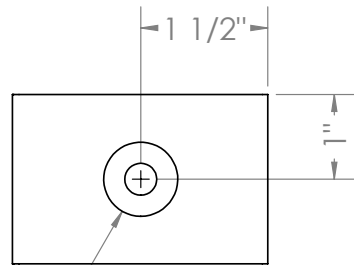
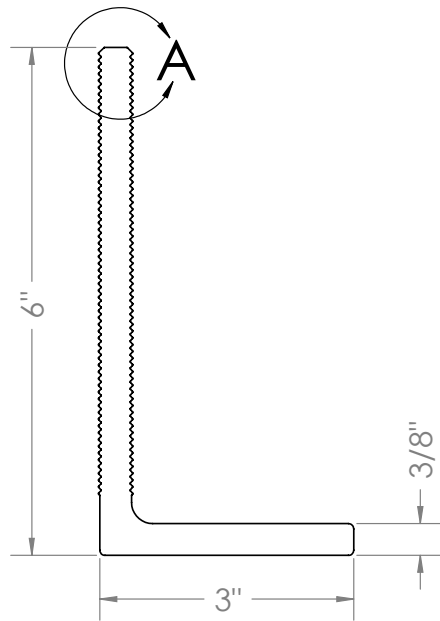


EcoFasten Solar

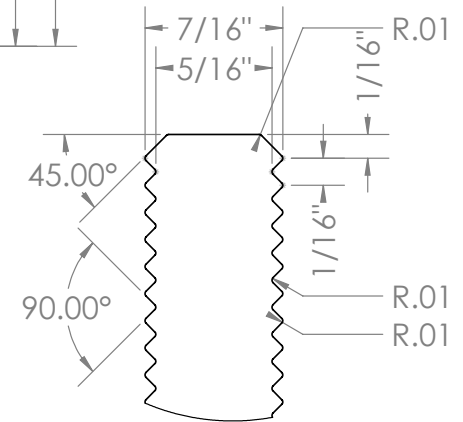
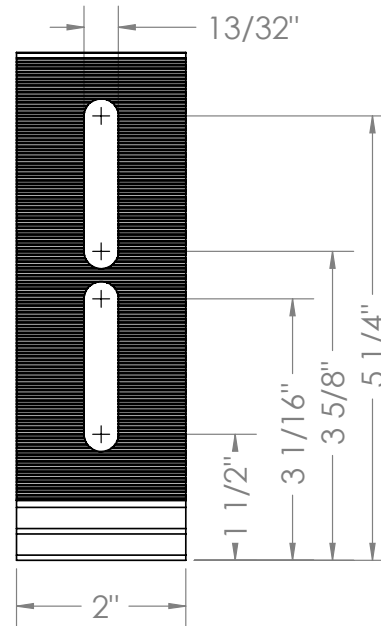




# EcoFasten Solar



$\phi 3/8^{+.01}_{-.00}$  THRU ALL  
 $\checkmark \phi 7/8^{(\pm.01)} \times 82^\circ$ , NEAR SIDE



DETAIL A  
 SCALE 2 : 1



# EcoFasten Solar

