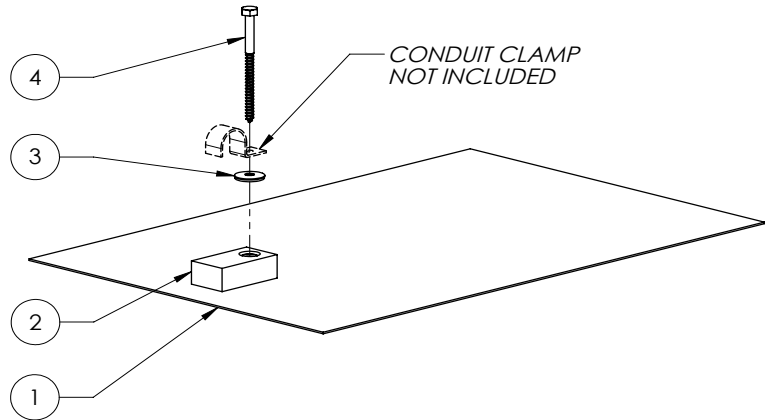
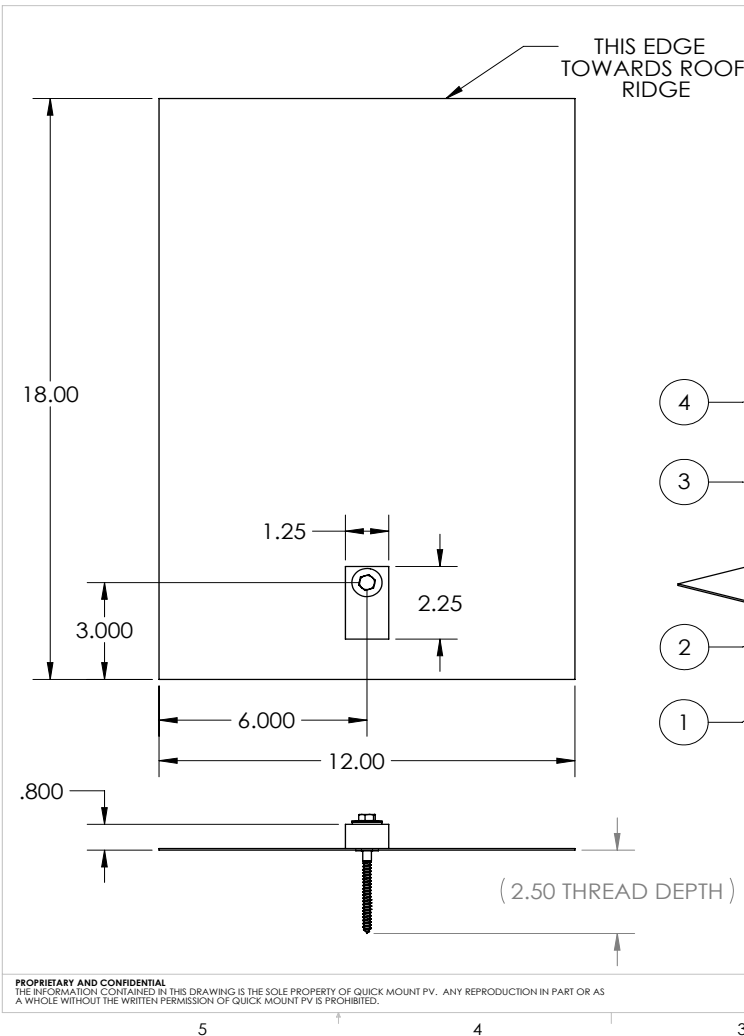


# Classic Conduit Shake Mount | QMLCC

ITEM NO.	DESCRIPTION	QTY.
1	FLASHING, 12" X 18" X .050", 5052, MILL	1
2	QBLOCK, CONDUIT, 5/16", 6061-T6, MILL	1
3	WASHER, SEALING, 1/4" ID X 7/8" OD, EPDM BONDED SS	1
4	LAG SCREW, HEX HEAD, 1/4" x 3-1/2", 18-8 SS	1

AVAILABLE IN MILL, CLEAR ANODIZED AND BRONZE ANODIZED FINISHES



**Quick Mount PV®**

TITLE:  
**QMLCC: CLASSIC CONDUIT SHAKE MOUNT**

UNLESS OTHERWISE SPECIFIED: DIMENSIONS ARE IN INCHES TOLERANCES: FRACTIONAL ± 1/8 TWO PLACE DECIMAL ± .18 THREE PLACE DECIMAL ± .125	SIZE <b>A</b>	DRAWN BY: RAD	REV <b>4</b>
	SCALE: 1:4	DATE: 1/30/2013	WEIGHT: 1.32

SHEET 1 OF 1

## Lag pull-out (withdrawal) capacities (lbs) in typical lumber:

	Lag Bolt Specifications		
	Specific Gravity	1/4" shaft per 1 3/4" thread depth	1/4" shaft per 1" thread depth
Douglas Fir, Larch	.50	393	225
Douglas Fir, South	.46	353	202
Engelmann Spruce, Lodgepole Pine (MSR 1650 f & higher)	.46	353	202
Hem, Fir	.43	313	179
Hem, Fir (North)	.46	353	202
Southern Pine	.55		260
Spruce, Pine, Fir	.42	302	173
Spruce, Pine, Fir (E of 2 million psi and higher grades of MSR and MEL)	.50	393	225

Sources: American Wood Council, NDS 2005, Table 11.2 A, 11.3.2 A

### Notes:

- 1) Thread must be embedded in a rafter or other structural roof member.
- 2) See IBC for required edge distances.

**IMPORTANT:** it is important to make sure the top edge of the aluminum flashing (item 1) reaches under the felt paper of the course above the point of installation. If the flashing edge doesn't reach, install an additional piece of felt paper under the course of felt above and over the flashing. See instructions on back.

PLEASE NOTE: Cedar shakes treated with ACQ or CCA wood preservatives or fire retardant chemicals, or shakes with higher concentrations of natural tannins, may cause accelerated corrosion when in direct contact with aluminum. It is advisable to use an appropriate physical barrier to isolate the aluminum from these corrosive chemicals. Accepted barriers include standard roofing felt, ice & water shield type underlayment, or 10 mil thick polyethylene sheeting. Please check with your shake roofer and/or supplier to see if your shakes require these barriers.

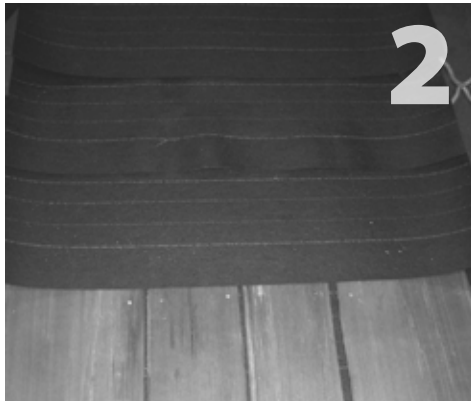
# Classic Conduit Shake Mounting Instructions

**Installation Tools Required:** tape measure, roofing bar, chalk line, stud finder, caulking gun, one tube of appropriate sealant, drill with 1/8" long bit, drill or impact gun with 7/16" socket, single hole clamp.

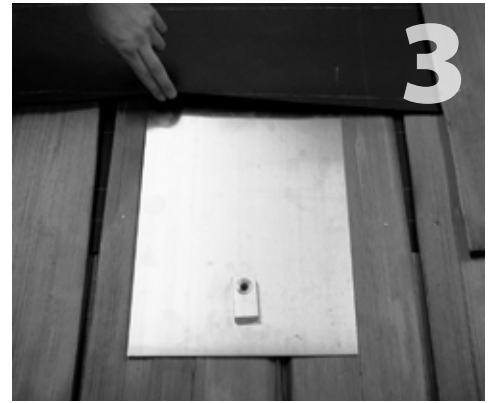
**WARNING:** Quick Mount PV products are NOT designed for and should NOT be used to anchor fall protection equipment.



1  
Locate, choose, and mark centers of rafters to be mounted. Select each row course of roofing for placement of conduit mounts.



2  
Remove shakes directly above mount with a roofing bar to expose felt paper. It may be possible to leave shakes in place and slide flashing under felt paper but paper must overlap the flashing.



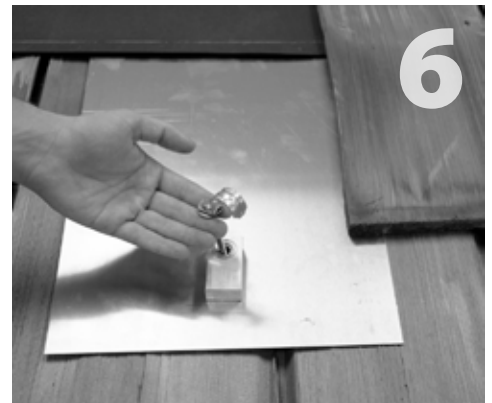
3  
Find the rafter center and level out any high spots with a grinder. Slide mount into desired position on shakes and mark center for drilling with a pen or pencil.



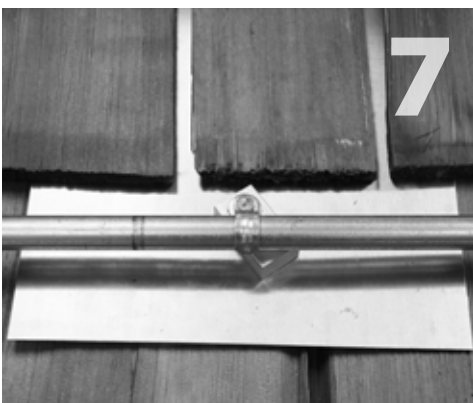
4  
Using drill with 1/8" bit, drill pilot hole into roof and rafter, taking care to drill square to the roof. Do not use mount as a drill guide.



5  
Clean off any sawdust, and back fill hole with the roof manufacturer's recommended sealant.



6  
Slide mount back into position under felt paper. Prepare lag screw with single hole conduit clamp (not included) and then the provided sealing washer.



7  
With a 7/16" socket, drive the prepared lag screw through the block and into the rafter, tightening the conduit to a solid, snug fit.

All roofing manufacturers' written instructions must also be followed by anyone modifying a roof system. Please consult the roof manufacturer's specs and instructions prior to touching the roof.

## Quick Mount PV®

925-478-8269 • [www.quickmountpv.com](http://www.quickmountpv.com) • [info@quickmountpv.com](mailto:info@quickmountpv.com)  
2700 Mitchell Dr., Bldg 2 • Walnut Creek, CA 94598