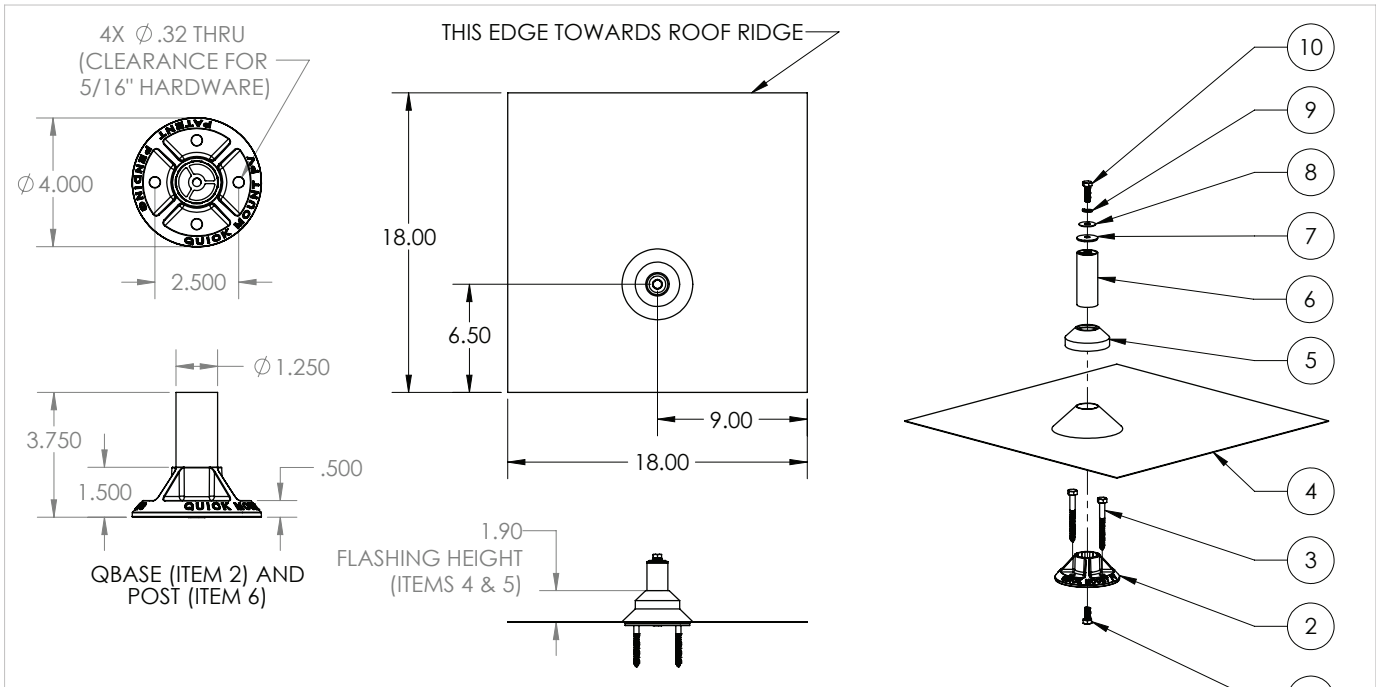
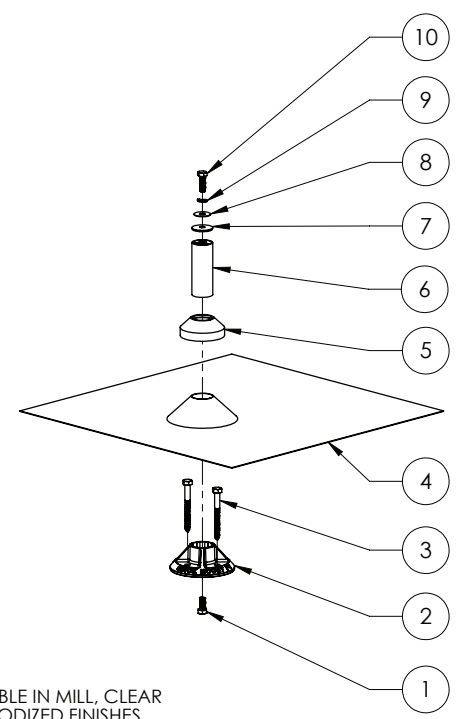


QBase Shake & Slate Mount | QMNS



ITEM NO.	DESCRIPTION	QTY.
1	CAP SCREW, HEX HEAD, 5/16"-18 X 3/4" UNC-2A, GRADE 8	1
2	QBASE, 1-1/4" ID, FOR 5/16" HARDWARE, A360.1 CAST AL	1
3	LAG SCREW, HEX HEAD, 5/16" X 3", ZINC	2
4	FLASHING, SPUN CONE, 18"X18"X.032", 3003 AL, MILL	1
5	COLLAR, COUNTER FLASHING, 1-1/4" ID EPDM	1
6	POST, 1-1/4" OD X 3-1/4", 6063-T5, MILL	1
7	WASHER, SEALING, 5/16" ID X 1-1/4" OD, EPDM BONDED SS	1
8	WASHER, FENDER, 5/16" ID X 1" OD, 18-8 SS	1
9	WASHER, SPLIT-LOCK, 5/16" ID, 18-8 SS	1
10	CAP SCREW, HEX HEAD, 5/16"-18 X 1" UNC-2A, 18-8 SS	1

POST AND FLASHING AVAILABLE IN MILL, CLEAR ANODIZED, AND BRONZE ANODIZED FINISHES.
 STAINLESS STEEL LAG SCREWS INCLUDED WITH ANODIZED FINISHES.



Quick Mount PV®

TITLE:
QMNS: QBASE SHAKE AND SLATE MOUNT

UNLESS OTHERWISE SPECIFIED: DIMENSIONS ARE IN INCHES TOLERANCES: FRACTIONAL ± 1/8 TWO PLACE DECIMAL ±.18 THREE PLACE DECIMAL ±.125	SIZE A	DRAWN BY: RAD	REV 6
	SCALE: 1:8	DATE: 1/15/2013	WEIGHT: 1.93 SHEET 1 OF 1

PROPRIETARY AND CONFIDENTIAL
 THE INFORMATION CONTAINED IN THIS DRAWING IS THE SOLE PROPERTY OF QUICK MOUNT PV. ANY REPRODUCTION IN PART OR AS A WHOLE WITHOUT THE WRITTEN PERMISSION OF QUICK MOUNT PV IS PROHIBITED.

DO NOT SCALE DRAWING

Ultimate Load Capacity				
Test Setup	Average values based on failure tests results in Douglas Fir			
	Ultimate Load Capacity [lbf]	Rafter moisture content (%)	Rafter specific gravity	Failure Mode
Pullout	3031	20.9	0.436	Lag Bolt Pull-Out
Shear Parallel to Rafter	1972	17.4	0.417	Lag Bolt Pull-Out
Shear Perpendicular to Rafter	1466	17.2	0.494	Plywood buckled/ Bent Machine Bolt

Sources: AME Report 111114C, 12/13/2011

Notes: Please note that ultimate load is NOT the same as allowable load. Ultimate load is the load at the point of failure. Since point of failure is usually heavily dependent on the roof itself, allowable load should be calculated by the responsible engineer using the appropriate factor of safety for that job.

Important: To maintain waterproofing on shake roofs, it is important to make sure the top edge of the aluminum flashing (item 4) reaches under the felt paper of the course above the point of installation. If the flashing edge doesn't reach, install an additional piece of felt paper under the course of felt above and over the flashing. To maintain waterproofing on slate roofs it is important the top edge of the flashing (item 4) reaches under the 3rd course of slate above the point of installation. See steps 10 and 11 of instructions.

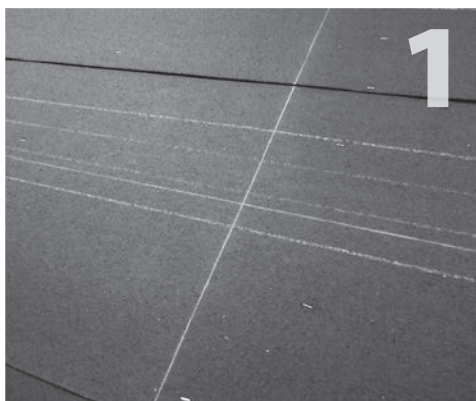
PLEASE NOTE: Cedar shakes treated with ACQ or CCA wood preservatives or fire retardant chemicals, or shakes with higher concentrations of natural tannins, may cause accelerated corrosion when in direct contact with aluminum. It is advisable to use an appropriate physical barrier to isolate the aluminum from these corrosive chemicals. Accepted barriers include standard roofing felt, ice & water shield type underlayment, or 10 mil thick polyethylene sheeting. Please check with your shake roofer and/or supplier to see if your shakes require these barriers.



Installation Instructions for Shake Roof

Installation Tools Required: tape measure, roofing bar, chalk line, stud finder, caulking gun and sealant compatible with roofing material, drill with 7/32" bit, drill or impact gun with 1/2" socket

WARNING: Quick Mount PV products are NOT designed for and should NOT be used to anchor fall protection equipment.



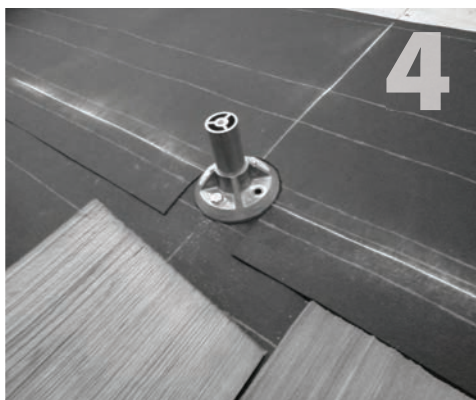
Lay out your array over the felt paper using a chalk line to mark rafter centers and the rail location centers.



Using the QBase as a guide, mark pilot hole location for drilling. If roof is already felted, cut a section in the topmost layer for the QBase, so that the shakes underneath can still slip under the felt.



Drill 2 each 7/32" pilot holes into rafter. Do not use QBase as a drill guide. Hold drill square to rafter. Fill pilot holes with sealant compatible with roofing material.



Prior to mounting to the roof, seat the grade-8 bolt (item 1) through bottom of QBase, and screw post (item 6) into base. Place QBase with post over drilled holes and secure lags (item 3) in place. Tighten to a snug fit.



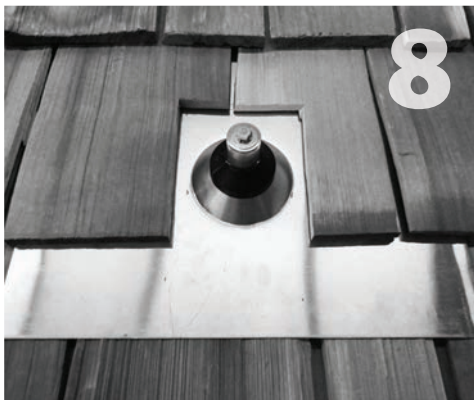
Roofing now continues. Cut shakes as needed to accommodate the QBase.



Install the flashing at the point where the lower flashing edge is higher than the butt edge of the shake course directly under it, and the upper flashing edge reaches up under the same felt course as the shakes.



Apply a bead of sealant around the area where the cone flashing meets the post. Install the EPDM rubber counter flashing (item 5) over the post, and attach all the remaining hardware (items 7-10) on top of the post for safekeeping until the racking is ready to install.



The mount installation is now complete. Continue roofing around the mount assembly, cutting shakes to accommodate the flashing cone.

You are now ready for the rack of your choice. Follow all the directions of the rack manufacturer as well as the module manufacturer.

All roofing manufacturers' written instructions must also be followed by anyone modifying a roof system. Please consult the roof manufacturer's specs and instructions prior to touching the roof.

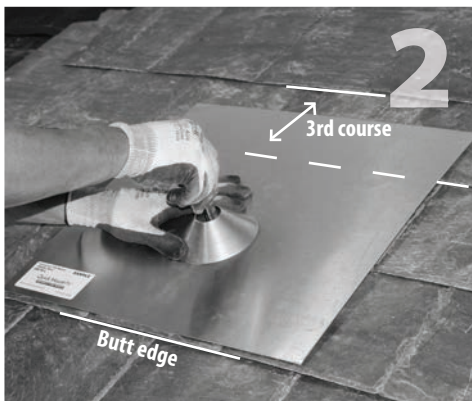
Installation Instructions for Slate Roof

Installation Tools Required: tape measure, slate roofing bar AKA slate ripper, chalk line, stud finder, caulking gun and sealant compatible with roofing material, drill, 4" diameter diamond embedded hole saw, masonry drill bit matching size of hole saw pilot drill bit, grinder with cutoff wheel, hammer, 7/32" high speed drill bit, and impact gun with 1/2" socket

WARNING: Quick Mount PV products are NOT designed for and should NOT be used to anchor fall protection equipment.



Mark the centerline of the rafter.



To mark the location of the QBase, position the bottom edge of the flashing flush with or just above the butt edge (drip) of the slate, the top edge extended up under the 3rd course, and the cone centered over your rafter centerline.



Using a masonry drill bit, drill a pilot hole at the center of the QBase location you marked in step 2. This drill bit should match the size of the guide bit of your hole saw.



Using a cutoff wheel in a grinder, score the slate above the mounting area at 4 inches above the center of the QBase location. In step 5, you will remove the slate below the score line, which will allow you to slide the flashing up under the remaining slate in step 10.



To remove the slate below the score, slightly lift the lower portion of slate with a slate ripper, then gently but firmly tap the top piece with a hammer. The lower piece should break off cleanly.



Using a 4" diameter diamond hole saw and the pilot hole drilled in step 3, drill through the existing slate.



Using QBase (item 2) as a guide, align two clearance holes vertically with the center of the rafter. Mark the center of these 2 holes. Drill 7/32" pilot hole at each of the 2 marks. Hold drill square to rafter. Do not use QBase as a drill guide.



Fill pilot holes with sealant compatible with roofing material such as Chemlink M-1, Geogreen 4500, or Solar Seal 900.



Prior to mounting to the roof, seat the grade-8 cap screw (item 1) through bottom of QBase. Secure the QBase to the rafter with (2) 5/16" lag screws (item 3) and tighten to a snug fit.

continued on next page



Slide the flashing over the QBase and under the slate above. Make sure you get up and under the 3rd course of slate.



Screw on the post.



Apply a bead of sealant around the area where the cone flashing meets the post.



Install the EPDM rubber counter flashing over the post, and attach all the remaining hardware (items 7-10) on top of the post for safekeeping until the racking is ready to install.

You are now ready for the rack of your choice. Follow all the directions of the rack manufacturer as well as the module manufacturer.

All roofing manufacturers' written instructions must also be followed by anyone modifying a roof system. Please consult the roof manufacturer's specs and instructions prior to touching the roof.

Additional Tips for Installing Mounts on a Slate Roof:

- If you have access to the underside of the roof, you can provide solid blocking at the location of the mount.
- It is possible that the roof is sheathed with solid wood boards that are thick enough to hold the mounts. It is important to verify the thickness, condition, and structural integrity of the wood you are attaching to and to consult an engineer licensed in your state to determine the bolting requirements.
- It can be difficult getting the flashing over the nails of the first course of slate. Helpful hint: slide the slate ripper up to or past the nail, then slide a piece of standard steel flashing over the slate ripper, allowing the slate ripper to guide the steel flashing over the nail. Then remove the slate ripper, slide the aluminum cone flashing into place and remove the steel flashing.
- Walking directly on a slate roof can break the slate. The most common way to distribute a person's weight is to lay a ladder on the slate roof and walk on the ladder. Be sure to secure the ladder so that it cannot slip or fall.

 **Quick Mount PV**[®]

925-478-8269 • www.quickmountpv.com • info@quickmountpv.com
2700 Mitchell Dr., Bldg. 2 • Walnut Creek, CA 94598